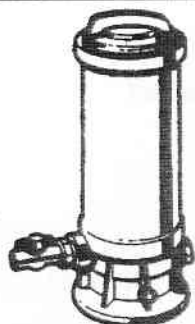



INSTALLATION GUIDE AND OPERATING INSTRUCTIONS



HAYWARD® CHEMICAL FEEDER FOR BROMINE APPLICATIONS MODELS C250EXP/C500EXP

WARNING

I. IMPORTANT SAFETY INSTRUCTIONS

 This is the safety alert symbol. When you see this symbol on your system or in this manual, look for one of the following signal words and be alert to the potential for personal injury.

DANGER indicates an imminently hazardous situation which, if not avoided, will result in death, serious personal injury, or major property damage.

WARNING indicates a potentially hazardous situation which, if not avoided, could result in death, serious personal injury, or major property damage.

NOTICE indicates special instructions not related to hazards.

Carefully read and follow all Safety Instructions in this Installation Guide and on equipment. Keep safety labels in good condition: Replace missing or damaged safety labels.

 **DANGER**



READ AND FOLLOW ALL INSTRUCTIONS

- Use only slow dissolving Bromine tablets.
- Never mix chemicals as it may cause a fire and/or an explosion.
- Never mix Bromine tablets with Calcium Hypochlorite, Trichloro-S-Triazinetrione or any other form of concentrated chlorine or other chemicals. Fire and /or explosion may result.
- Never add any types of chlorine, pH adjusters, shock treatments or algaecides through the skimmer. If these products must be used, they should be added directly into the pool water.
- Never isolate Bromine feeder with valves or other devices.

- Read and follow all Safety Instructions prior to operating or servicing this bromine feeder.
- To reduce the risk of injury, do not permit children to use this product.
- Wear eye and skin protection while maintaining or servicing this unit.
- Do not inhale fumes from the brominator or chemical container.
- Bromine feeder may be under pressure. Use caution removing cover.

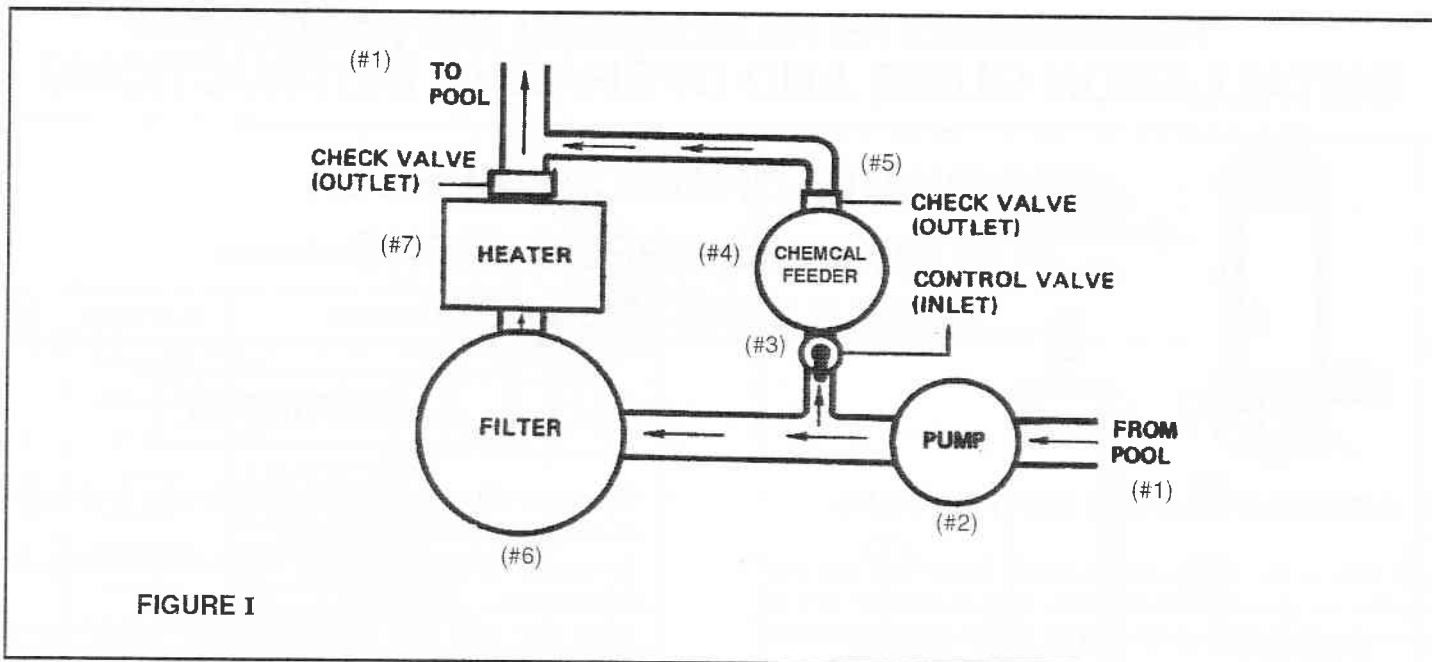
SAVE THESE INSTRUCTIONS

II. INSTALLATION AS BROMINATOR C250/C500EXP

NOTE: If Hayward Chemical Feeder Model C250EXP or C500EXP is to be used as a Bromine Feeder (Brominator) then overlay labels part numbers C250Z1CFB and C250Z1CFBE must be superimposed over the English language operation label (C250Z1CFC) and the multi-language operation label (C250Z1CFCE) respectively. See overlay instruction sheet enclosed in poly bag with overlay labels for further direction.

A. Planning Installation

1. Read and follow all installation instructions prior to installing your bromine feeder. Refer to Figure I.
2. Your C250/C500 automatic bromine feeder is designed for permanent installation. This unit uses pressure differential to divert water through the brominator/chemical feeder (#4) into the return-to-pool piping after the filter/heater.
3. The inlet connection (#3) should always be made in the piping after the pump (#2) and before the filter (#6).
4. The outlet connection (#5) should always be made in the piping after the heater (#7) or filter (#6) if no heater is present. If a heater is present an in-line positive seal corrosive resistant check valve should be installed to reduce backflow of bromine into the heater when system is shut down. The outlet connection should be made after the check valve (#5).

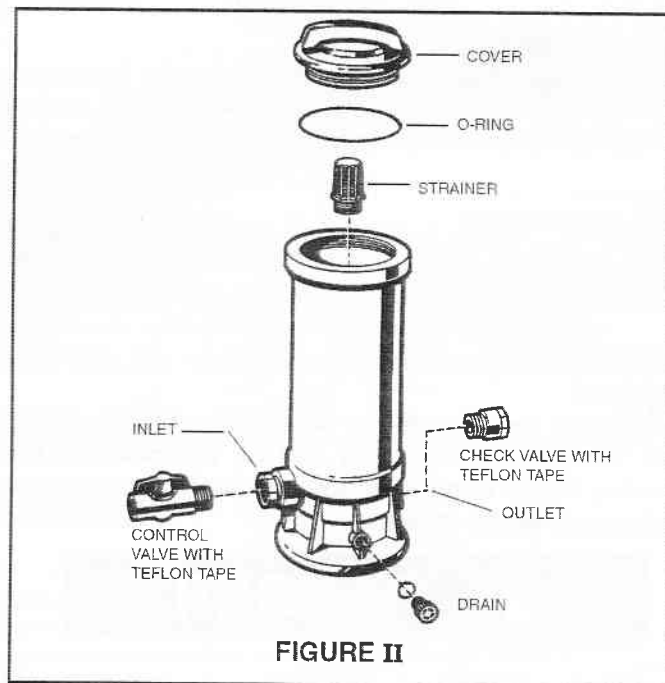


B. Connection to Brominator

1. Remove the polyethylene bag containing the control valve, check valve and Teflon tape from the carton and remove items from bag.
2. Using the provided Teflon tape wrap the threads of the check valve and then thread it securely into the outlet port of the chemical feeder/brominator. See figure II.
3. Similarly wrap the male threads of the control valve with Teflon tape and then thread it securely into the inlet port of the chemical feeder/brominator. See figure II.

C. Connection to Plumbing

1. Confirm that the Brominator and valves have been positioned and installed according to the instructions in "A" and "B" above. Make piping connections to the Brominator using minimum schedule 40 PVC or CPVC pipe.
2. Connect the inlet and outlet ports of the brominator to the minimum schedule 40 pipe using "thread to slip" pipe adapter fittings not included with unit. Wrap threaded ends of the adapters with Teflon tape and use proper primer and adhesive for non-threaded (slip) connections.
3. After starting system, re-check all plumbing connections for leaks. Re-tighten threaded connections or remake slip connections if necessary.



III. DIRECTIONS FOR USE

GENERAL

Before using your brominator, your pool/spa water should be properly balanced and conditioned and should have a bromine residual of approximately 2.0 to 3.0 ppm. Read and follow the dealer's and/or chemical supplier's directions and instructions that are provided.

Check bromine residual daily and adjust the dial valve for more or less bromine. the bromine demand for pools and spas varies based on usage, temperature, sunlight, etc. Initially, you'll have to experiment to determine the proper amount of bromine and the correct valve setting required for your pool and filter time cycle. Follow chemical manufacturer's instructions for proper bromine level.

REFILLING BROMINATOR



READ AND FOLLOW ALL INSTRUCTIONS

- Use only slow dissolving Bromine tablets.
- Never mix chemicals as it may cause a fire and/or an explosion.
- Never mix Bromine tablets with Calcium Hypochlorite, Trichloro-S-Triazinetrione or any other form of concentrated chlorine or other chemicals. Fire and/or explosion may result.
- Never add any types of chlorine, pH adjusters, shock treatments or algaecides through the skimmer. If these products must be used, they should be added directly into the pool water.
- Never isolate Bromine feeder with valves or other devices.



- Read and follow all Safety Instructions prior to operating or servicing this bromine feeder.
- To reduce the risk of injury, do not permit children to use this product.
- Wear eye and skin protection while maintaining or servicing this unit.
- Do not inhale fumes from the brominator or chemical container.
- Bromine feeder may be under pressure. Use caution removing cover.

1. Shut off all pumps and pump timers.

2. Turn bromine feeder flow control valve to "OFF".

3. Verify bromine feeder return line to pool is unrestricted.

4. Wait one minute to relieve system pressure before attempting to remove cover.

5. Remove cover. Use SP3100T cover opening tool if necessary.

6. Refill Bromine Feeder only with slow dissolving Bromine tablets.

7. Secure cover to bromine feeder.

8. Turn flow control valve to desired setting and restart pump.

IV. MAINTENANCE

A. To Change O-Ring

1. Read and follow instructions in Steps 1 to 5 in Refilling Brominator section. (Opposite & Above)
2. Remove the O-Ring and replace with a Hayward replacement O-Ring (part no. SPX3000SV).
3. Replace cover. If brominator needs to be refilled, read and follow instructions in Steps 6 to 8 in Refilling Brominator section.

B. Winterizing

Where freezing temperatures can be expected, drain all water from brominator. (For in-line permanently installed unit remove drain plug). Carefully remove undissolved tablets, and rinse out brominator thoroughly with water. Replace cover and drain plug.

C. Vacuuming

When vacuuming, close flow control valve to prevent bypass of sediment and possible clogging of control valve.

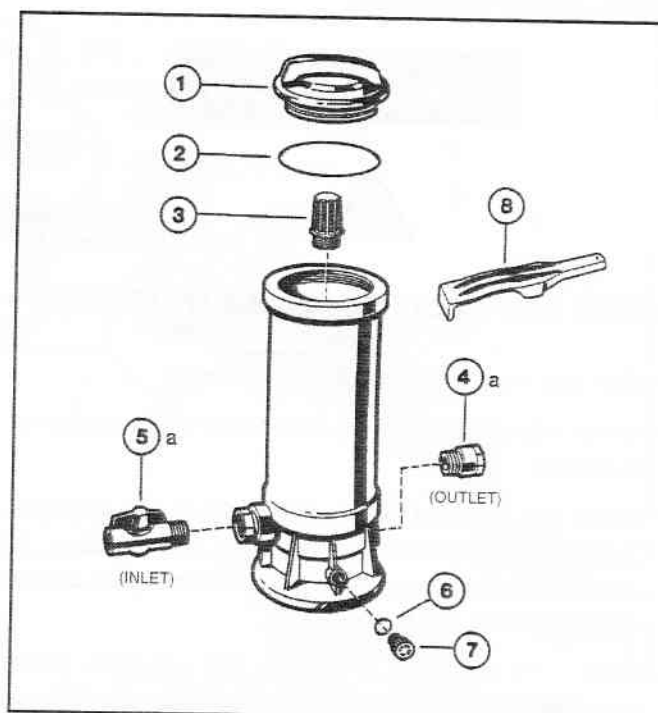
D. Lubrication

Never use petroleum type lubricants on Cover O-Ring. To lubricate use Jack's No. 327 lube only.

PARTS FIGURES AND DIAGRAMS

PARTS

REF. NO.	PART NO.	DESCRIPTION	NO. REQ'D.
1	SPX3000D2	Cover	1
2	SPX3000SV	Cover O-Ring, Viton®	1
3	CX500J	Strainer	1
4a	CX500CV	3/4" Check Valve (C250CF & C500CF)	1
5a	CX500BV	3/4" Control Valve (C250CF & C500CF)	1
6	SPX605Z2V	Drain Plug O-Ring, Viton®	1
7	CX250Z14	1/2" Drain Plug	1
8	SP3100T	Cover Opening Tool	1



SPECIFICATIONS

MODEL NO.	PIPE SIZE	FEEDER WIDTH		FEEDER HEIGHT		MAXIMUM WORKING PRESSURE	
		INCHES	CM	INCHES	CM	PSI	BAR
C250EXP	3/4" FIP	10.5	26.7	17.5	44.5	29.4	2
C500EXP	3/4" FIP	10.5	26.7	27.5	69.9	29.4	2

PERFORMANCE DATA

MODEL NO.	Maximum Chemical Capacity Bromine		Maximum Output Rate (1 hour) Bromine		Maximum Pool Size Bromine	
	Pounds	Kilograms	Pounds	Grams	Gallons	Kiloliters
C250EXP	16	7.2	0.07	31.7	20,000	75.7
C500EXP	30	13.5	0.10	45.3	40,000	151.4

HAYWARD Pool Products
A Hayward Industries, Inc. Company

Pomona, CA
Clemmons, NC

Nashville, TN
North Kingstown, RI

Oakville, ON, Canada
St. Vulbas, France

Wuxi, China

USE ONLY HAYWARD GENUINE REPLACEMENT PARTS

Visit our website at www.haywardnet.com

Printed in U.S.A.