

# CX2000 Intelligent Conductivity/ Resistivity Transmitter



## Specifications

<b>Measuring Range (Conductivity)</b>	0.000 uS/cm -200.0 mS/cm in 5 ranges 0.01/0.1/1 uS/cm, 0.01/0.1mS/cm resolution, +/-1% Accuracy(+/- 1 digit)
<b>(Resistivity)</b>	0.00-20.00 MΩ · cm, 0.01 MΩ · cm resolution, +/-1% Accuracy(+/- 1 digit)
<b>Temperature Range</b>	-30 °C to 130 °C , 0.1 °C resolution, 0.2 °C accuracy
<b>Calibration Mode</b>	Automatic with built-in standard solutions manual cell constant adjustment
<b>Cell Constants</b>	0.01,0.05, 0.1, 0.5, 10/cm fixed or freely select- able 0.0080 - 19.99/cm
<b>Analog Output 1</b>	Isolated DC 0/4 -20mA , corresponding to conductivity or resistivity. Max load 500 Ω.
<b>Analog Output 2</b>	Isolated DC 0/4 -20mA , corresponding to temperature output. Max load 500 Ω.
<b>Set-Points</b>	Contact : 240V AC, 5A max Activate: setpoints Hi/Low, Hi/Hi, Low/Low, ON/OFF
<b>Enclosure</b>	NEMA 4X IP65, with push-button control pad. HWD: 96 mm (3.77") x 96 mm (3.77") x 132mm (5.20"), 1/4 DIN
<b>Panel Cut-Out</b>	93mm (3.66") x 93mm (3.66")
<b>Weight</b>	approx. 0.50kg (1.1lb)
<b>Mounting Options</b>	Panel or Wall mount
<b>Ambient Temperature</b>	0 °C to 50 °C
<b>Storage Temperature</b>	-10 °C to 70 °C
<b>Temperature Compensation</b>	NTC 30K or Pt1000 RTD with automatic compensation or manual
<b>Temperature Coefficient</b>	Linear comp 0.00-40.00%, Non-linear comp for natural waters
<b>Power Requirement</b>	100-240V AC +/- 10%, 5W max, 50/60 Hz

**2 each Voltage isolated 4-20mA Outputs (Conductivity or Resistivity and Temperature)**

**2 Adjustable Hi/Lo Relay/Contacts**

**Large LCD display with auto-sense backlight and contrast setting**

**NEMA 4X, IP65 enclosure**

**Sample averaging to enhance stability**

The CX2000 is a full-featured Conductivity or Resistivity transmitter/controller. Simply power up your CX2000 with 110-240V AC power and you get a controller with a wide range of useful features:

2 relays, 1 wash control, 2 each 4-20mA outputs (Cond & Temp or Resistivity & Temp).

Calibration is simple with preset standard and can be password protected with a programmable security code.

Mounting choices include: wall or panel.

The large LCD display with auto-sense backlight and contrast adjust makes the CX2000 display so it can be easily viewed in all areas.

## Ordering Information

### Model

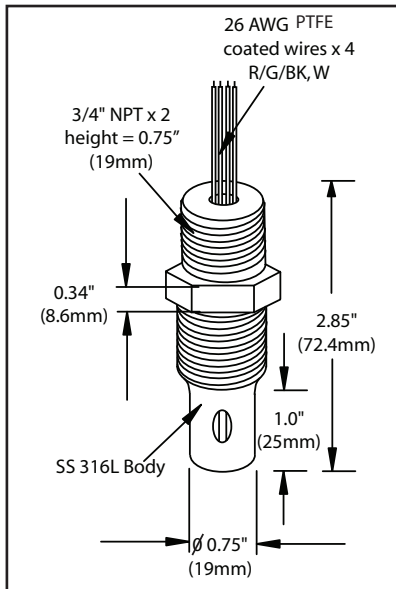
CX2000	Conductivity, Resistivity, Controller requires 110-240V AC power. 2 relays, 2 each 4-20mA outputs & wash control. 1/4 DIN enclosure
--------	---

note: RS485 output version is also available. Please contact Sensorex for details.

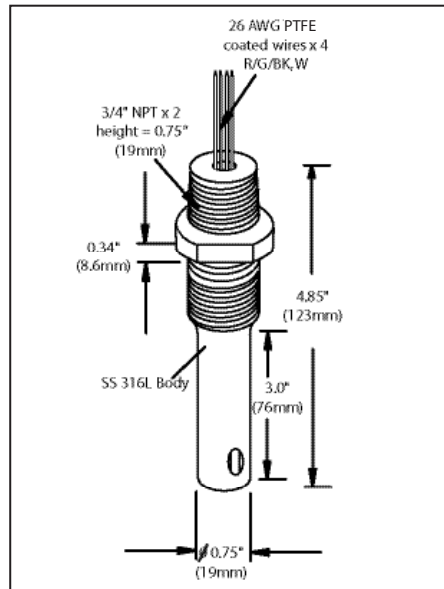
**Parts covered by this product data sheet include: CX2000**

## Pair any of these high quality conductivity or resistivity sensors with your CX2000

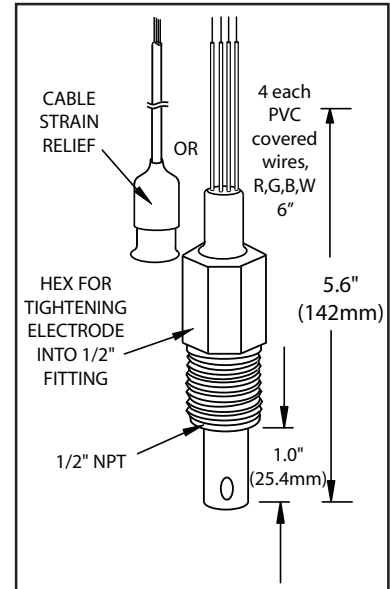
### CS675TC, CS675HTTC



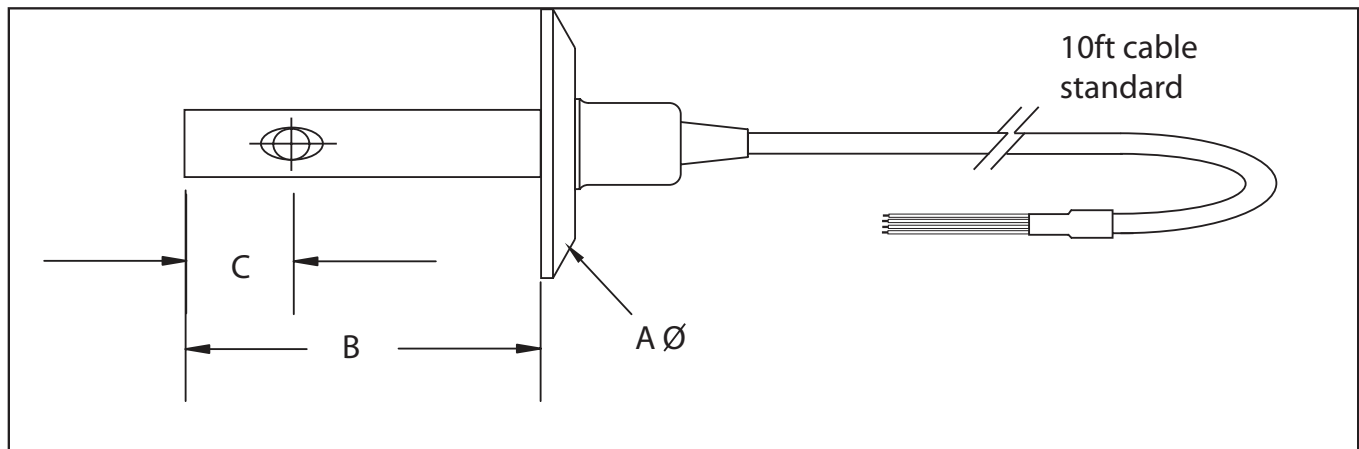
### CS676TC, CS676HTTC, CS676HPTC



### CS650TC



For more details, see SpecsSScond at [www.sensorex.com](http://www.sensorex.com)



Model No.	Dim. A	Dim. B	Dim. C
CS615- k=0.1, 1	2.0" (50.8mm)	2.65" (67.3mm)	0.80" (20.3mm)
CS620 -k=0.1, 1	2.5" (63.5mm)	2.65" (67.3mm)	0.80" (20.3mm)
CS620- k=0.01	2.5" (63.5mm)	5.00" (127mm)	1.97" (50.0mm)

For more details, see SpecsSanitaryCond at [www.sensorex.com](http://www.sensorex.com)